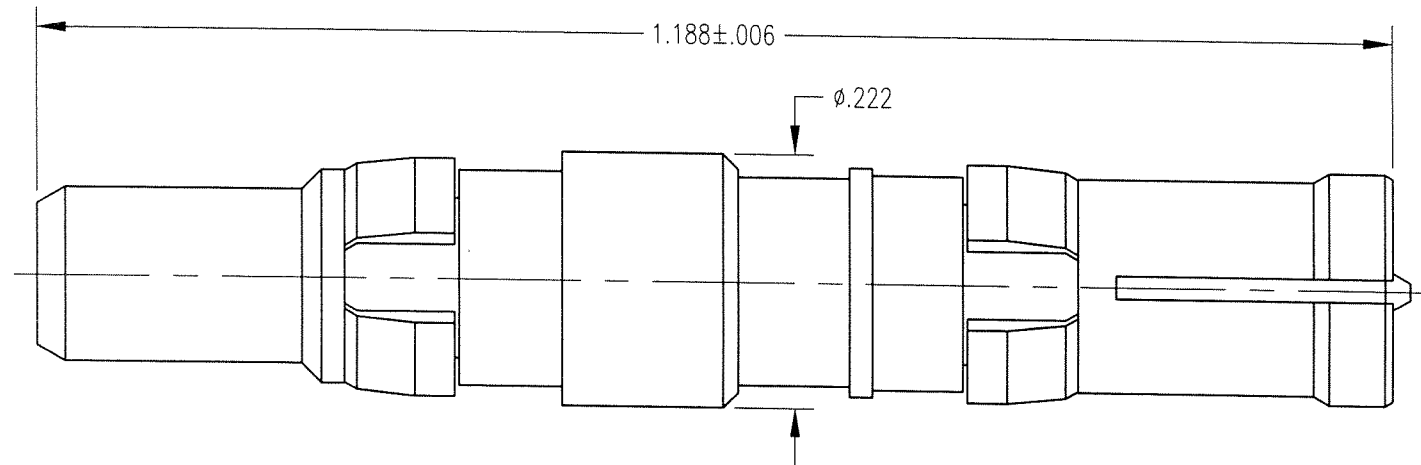



DWG. NO. 200-201-0000G

| REV | DESCRIPTION | BY DATE | APPD |
|-----|-----------------------|---------|-------------|
| A | RELEASED PER NPR 2482 | 7/25/01 | [Signature] |



NOTES:

- MATERIALS:
 - RECEPTACLE BODY AND CENTER CONTACT: COPPER ALLOY
 - PLUG BODY: BRASS PER ASTM B16
 - CLIP RING: BERYLLIUM COPPER PER ASTM B194
 - INSULATOR: TEFLON PER ASTM D1710
- FINISH:
 - CLIP RING: .000100 MIN. NICKEL PER QQ-N-290 OVER COPPER FLASH
 - ALL OTHER METAL PARTS: .000030 MIN. GOLD PER MIL-G-45204 OVER .000050 MIN. NICKEL PER QQ-N-290

| | | | |
|---|-----------------|--|--------------------------|
| PER ASME Y14.5M-1994 UNLESS OTHERWISE SPECIFIED: DIMENSIONS ARE IN INCHES [MM] | | Litton Winchester/Retconn 400 Park Road Watertown, Connecticut 06795 | |
| TOLERANCES: DECIMALS .xx ± .01/0.254 xxx ± .005/0.127 ANGLES ± 2° SCALE: 6:1 | | TITLE RDM MALE - FEMALE ADAPTER | |
| CUSTOMER DRAWING | |  | |
| DRAWN JED | DATE 7/25/01 | CHECKED [Signature] | DATE 7-25-01 |
| APPROVED [Signature] | DATE 7/25/01 | APPROVED [Signature] | DATE 7/25/01 |
| A | | 200-201-0000G | SMT. OF REV. 1 OF 1 A |